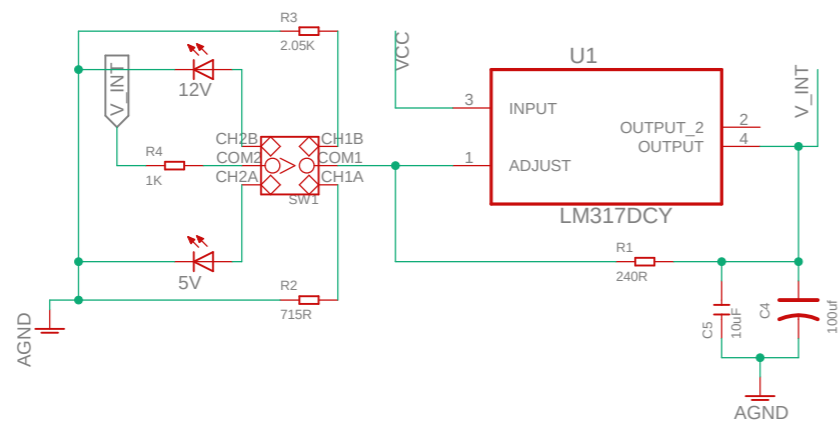


### 5V / 12V Switchable Fan Supply



### 5V Ripple Rejected AVR/Piezo Supply

